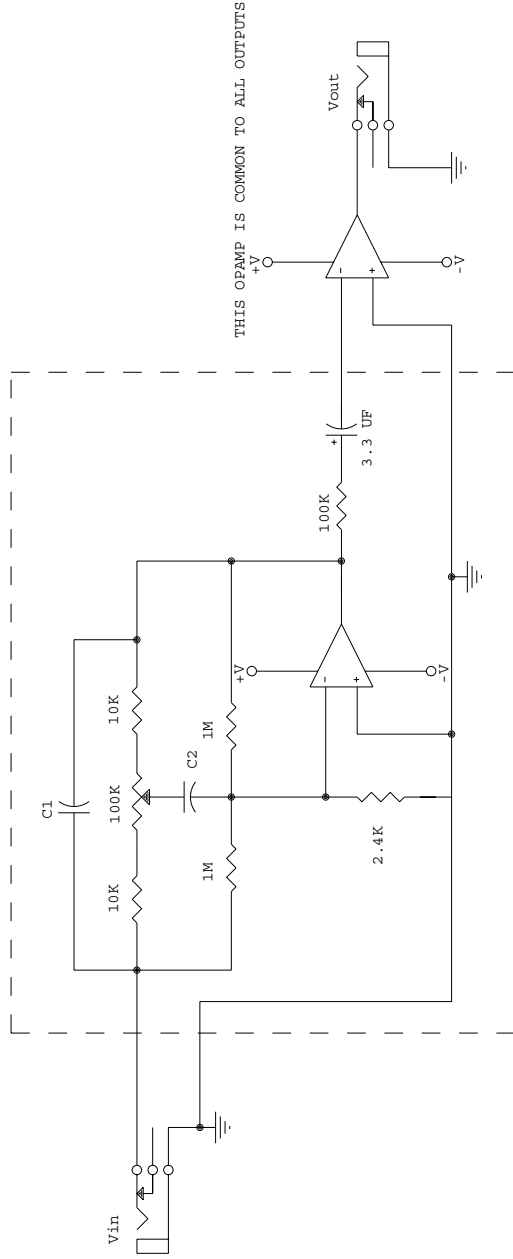


REPEAT CIRCUIT IN BOX FOR ALL FREQUENCIES.
THE TABLE GIVEN BELOW SPECIFIES COMPONENT
VALUES FOR C1 AND C2.



* A SUGGESTED OPAMP WOULD BE A TL082 OR SIMILAR LOW NOISE OPAMP

CHANNEL CENTRE FREQ. (IN Hz.)	C1	C2
32	180nF	18nF
64	100nF	10nF
125	47nF	4.7nF
250	22nF	2.2nF
500	12nF	1.2nF
1000	5.6nF	560pF
2000	2.7nF	270pF
4000	1.5nF	150pF
8000	680pF	68pF
16000	360pF	36pF